

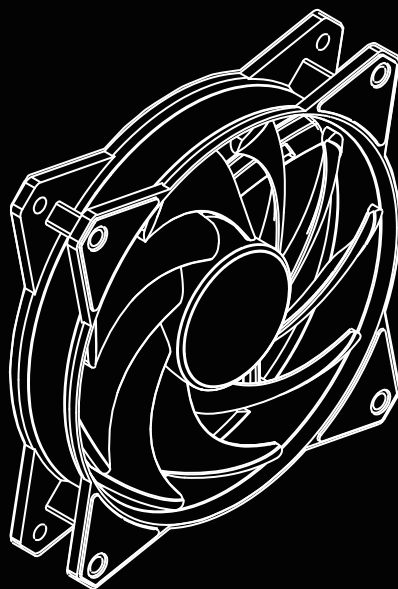
# STEP BY STEP INSTALLATION GUIDE



**GEMINI | E1**  
**CASE & RADIATOR FAN | 1201**

# Package Contents

**A**

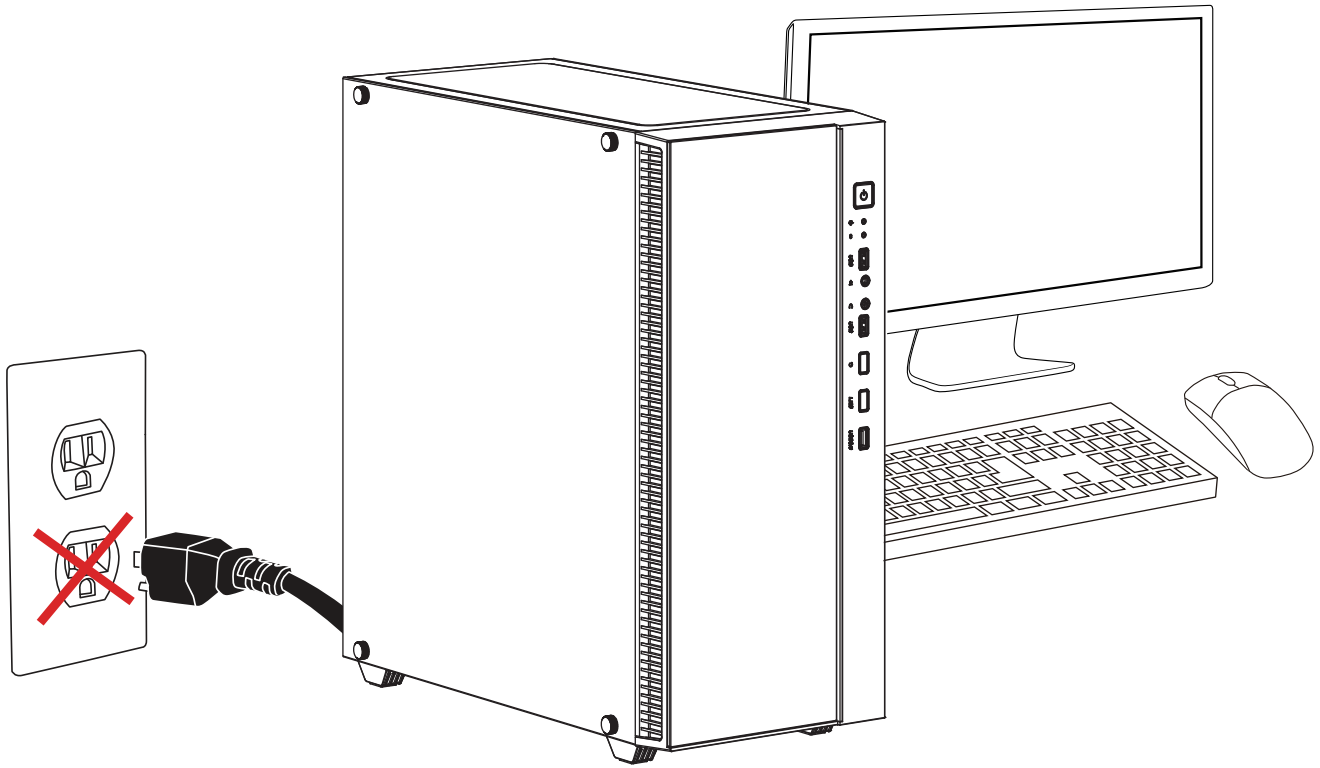


**X1**

**B**



**X4**



## English

- ◆ Make sure that your system is turned off and unplugged.

## Français

- ◆ Assurez-vous que le système est éteint et débranché.

## Русский

- ◆ Убедитесь, что система выключена и отключена от электросети.

## Deutsch

- ◆ Stellen Sie sicher, dass Ihr System ausgeschaltet und alle Stromkabel gezogen sind.

## 繁體中文

- ◆ 請確定系統已關閉且已斷電。

## 简体中文

- ◆ 请确保系统已关闭，并已拔出插头。

## Español

- ◆ Asegúrese de que el sistema está apagado y desenchufado.

## Italiano

- ◆ verificare che il sistema sia spento e scollegato.

## Português

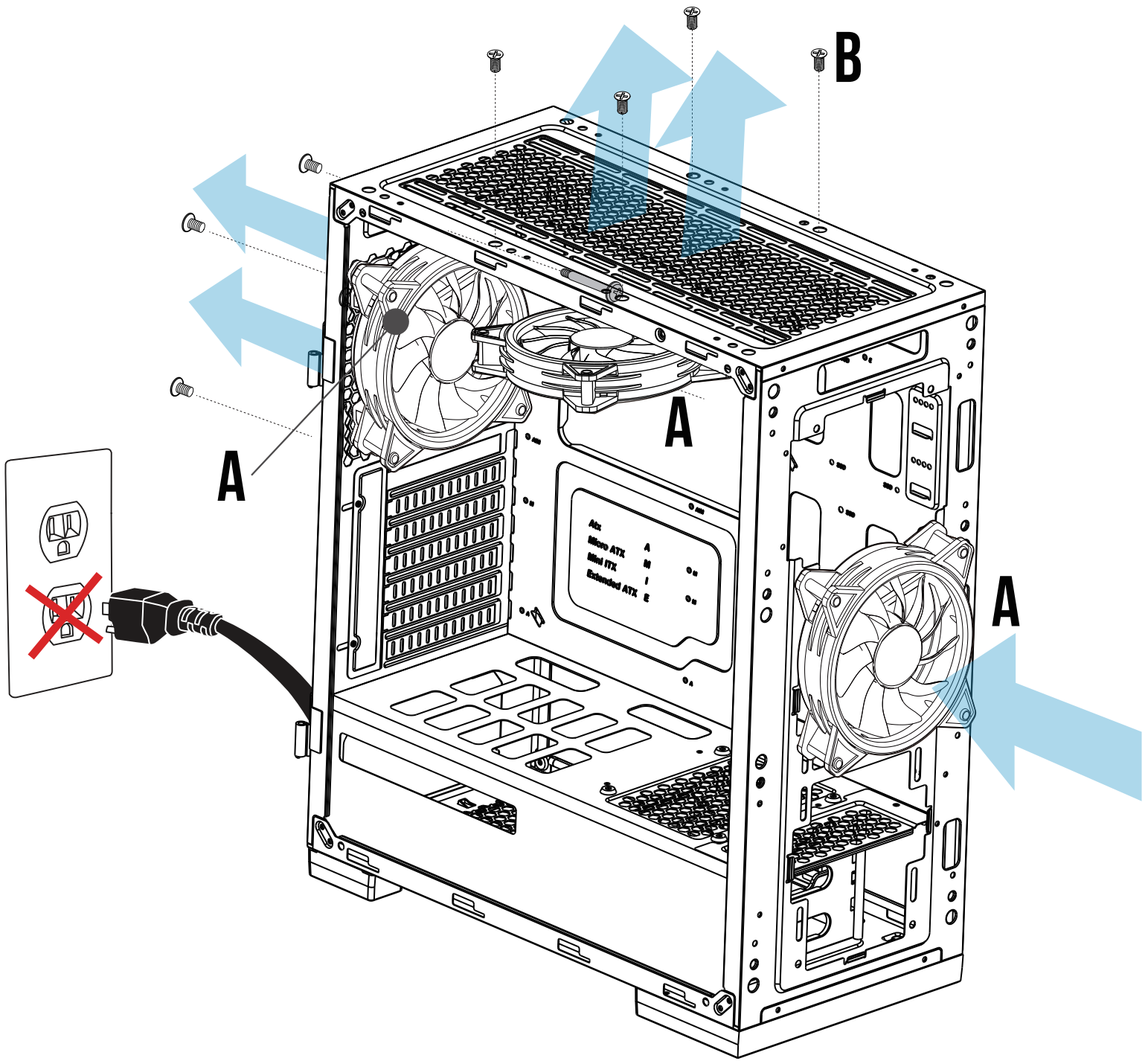
- ◆ Certifique-se que o seu sistema está desligado e sem corrente eléctrica.

## Türk dili

- ◆ Sisteminizin kapalı olduğundan ve fişinin takılı olmadığından emin olun.

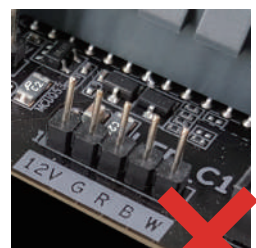
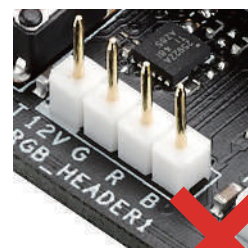
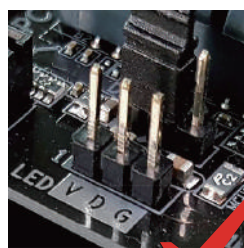
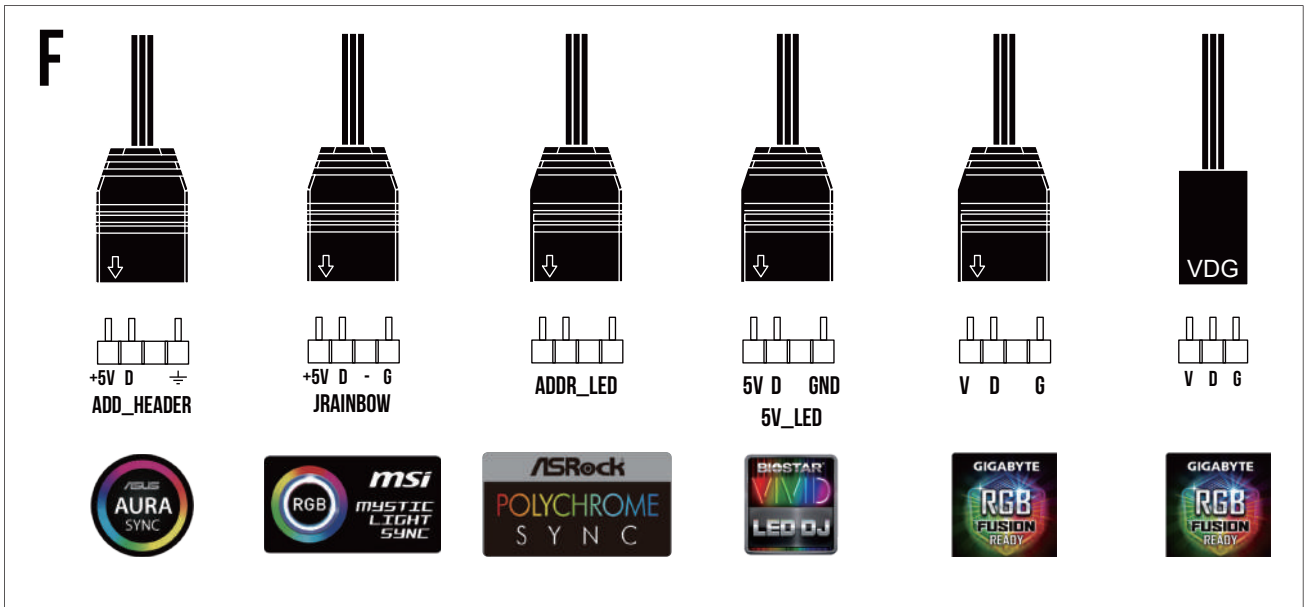
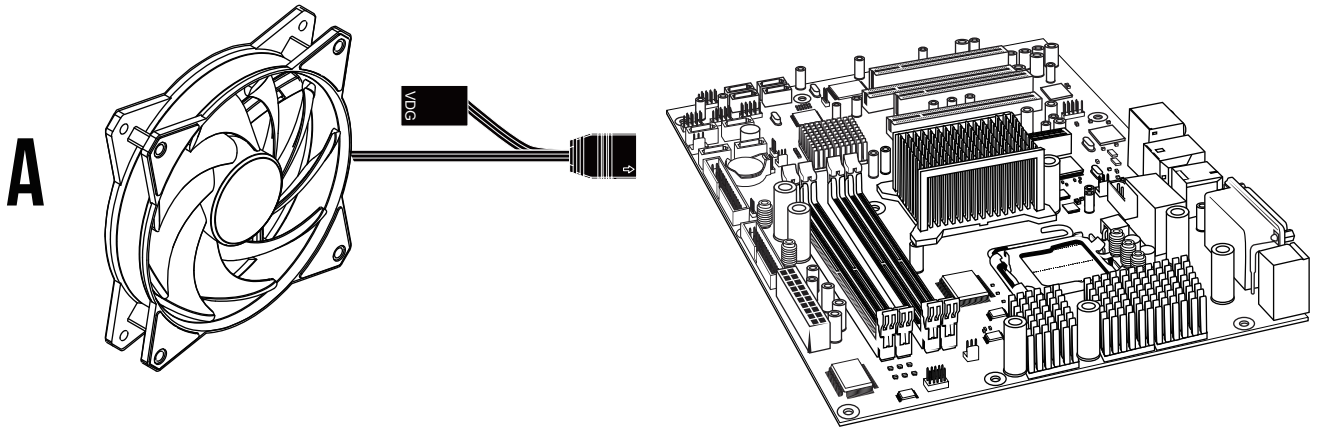
## 日本語

- ◆ システムがオフになっており、プラグを抜いていることを確認してください。



# 03

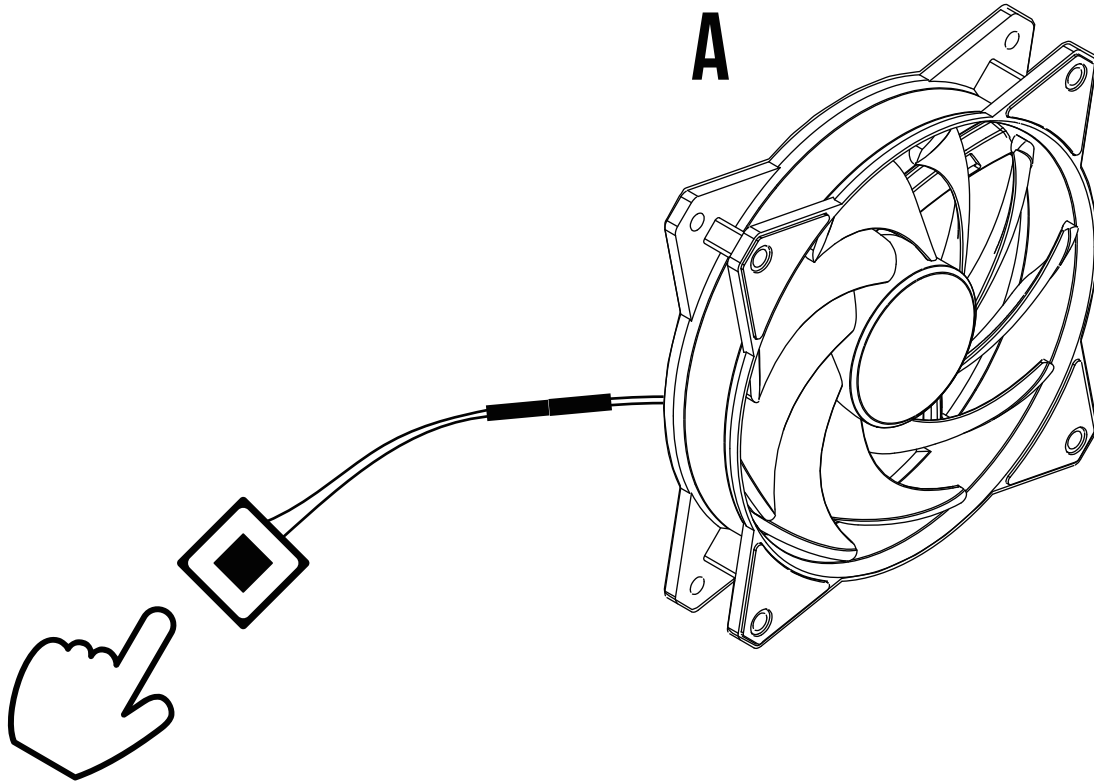
If your motherboard has 5V 3-Pin addressable (digital) LED header, you can customize RGB lighting via motherboard manufacture sync software



GEMINI E1-1201 only support 5V addressable (digital) RGB header

# 04

Two methods to control build-in RGB Lighting  
Method 1. Use included button



If the motherboard RGB sync function is used, the button function will be automatically disabled.

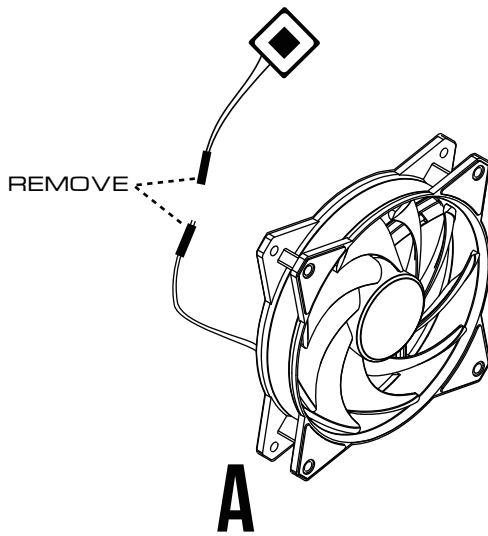




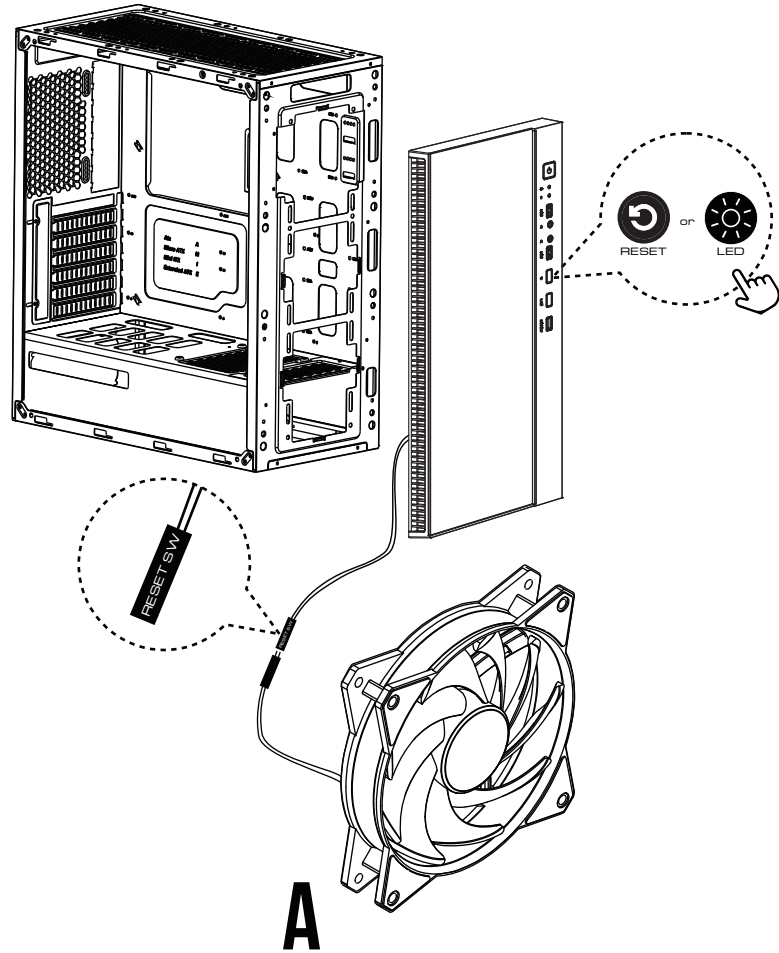
# 05

Two methods to control build-in RGB Lighting  
Method 2. If your case has "RESET SW", you can use case button to change lighting modes

## 1

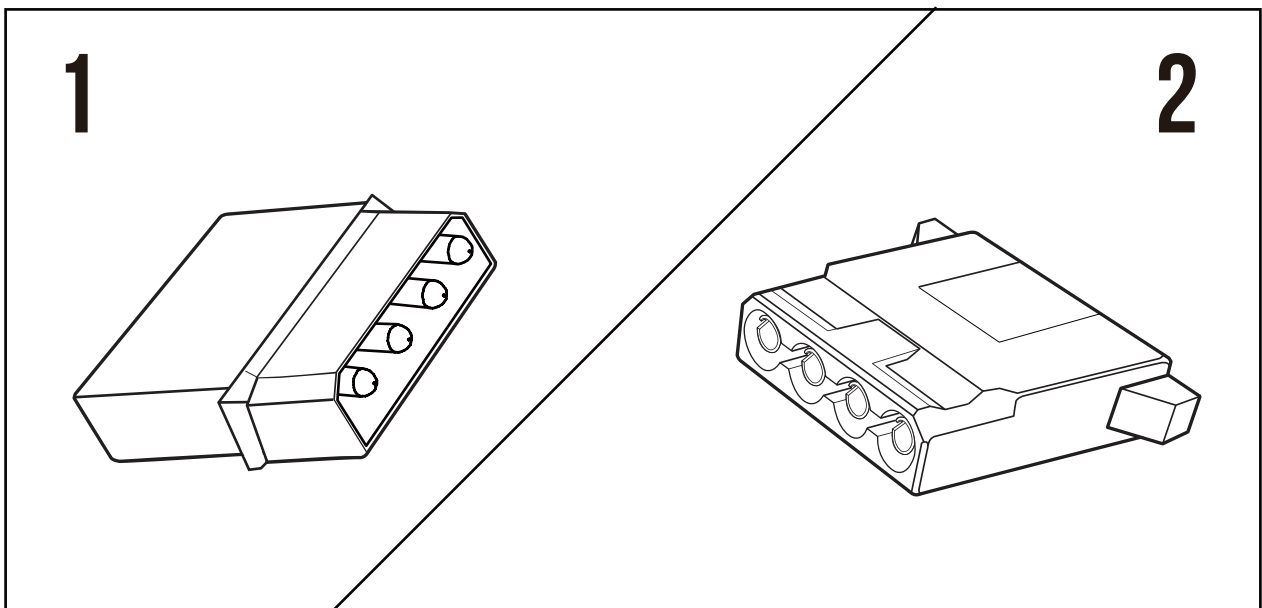
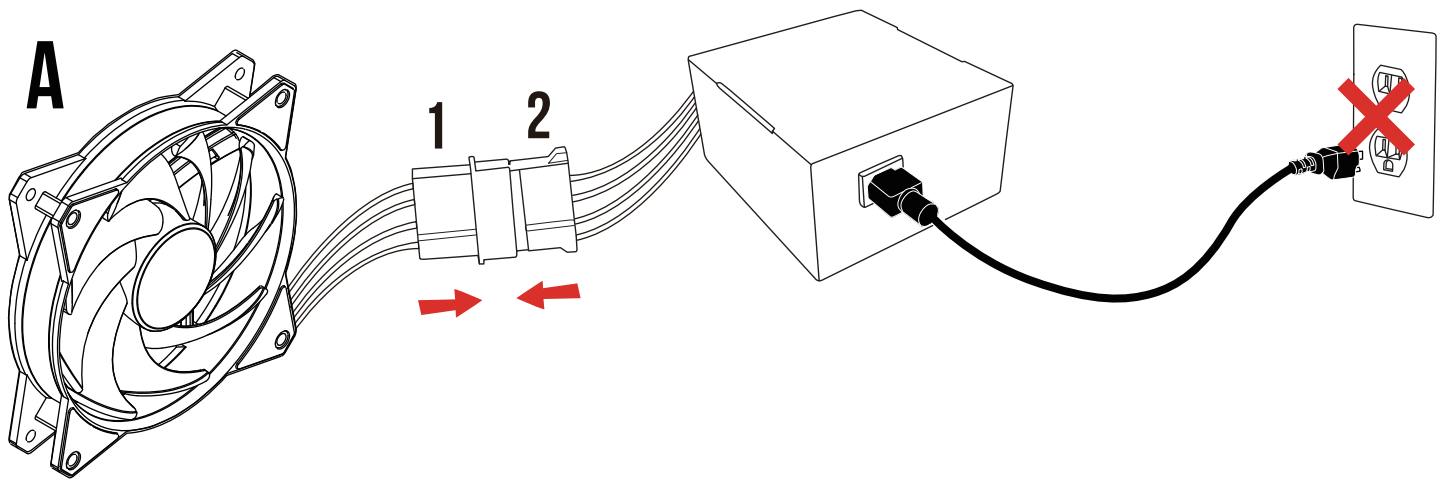


## 2



If the motherboard RGB sync function is used, the button function will be automatically disabled.







# 07

The design of male and female Molex to deal with insufficient socket

